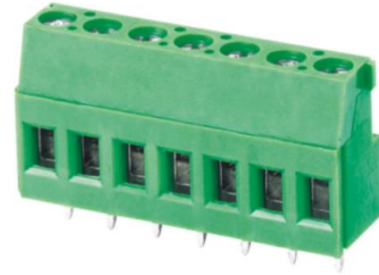


Terminal Block, Terminal

STB4040JH-7,62-XX

Description

The STB4040JV-7,62-XX is a screw terminal to be mounted directly on a PCB. The number of Poles can be selected in the P/N.



Typical applications

- Wire to Board
- Board to Wire

Features

Mechanical Properties

Description

Connector Type	Screw Terminal
Orientation	Horizontal
Dimensions	(7.62*Number of Poles) x 18.1 x 11.3 mm ± 0.2
Operating Temperature Range	-40°C~+105°C
Wire Range	26 - 12 AWG / 2.5 mm ²
Cable stripping Length	6 ~ 7 mm
Rated Torque	0.5Nm (4.43 Lb. in)
Pitch	7.62 mm
Poles	02 ~ 24 Poles
Housing	PA66, UL94V-0
Screw	Steel, Ni plated
Contact	Copper Alloy, Sn plated
Pin Header	Copper Alloy, Ni plated

Terminal Block, Terminal

STB4040JH-7,62-XX

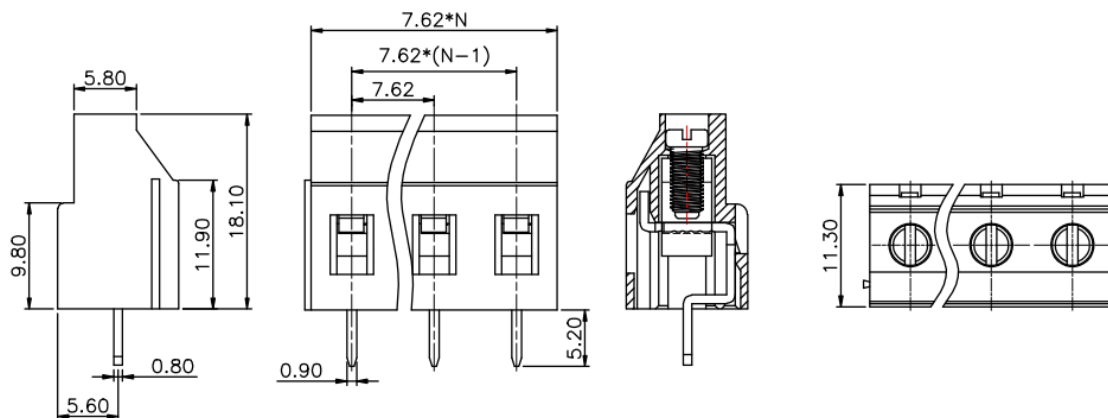
Electrical Properties

Description

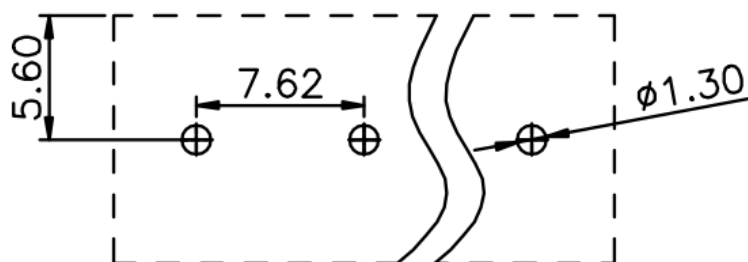
Standard	UL	IEC
Rated Voltage	300V	450V
Rated Current	20A	20A
Withstanding Voltage	AC 2000V /Min.	

Dimensions

*unit: mm, N: number of poles



PCB Footprint



PCB LAYOUT

Terminal Block, Terminal

STB4040JH-7,62-XX

Pole	2	3	4	5	6	7	8	9	10	11	12	13
Length	15,2	22,9	30,5	38,1	45,7	53,3	61	68,6	76,20	83,8	91,4	99,1
Pitch	7,6	15,2	22,9	30,5	38,1	45,7	53,3	61	68,6	76,20	83,8	91,4

Pole	14	15	16	17	18	19	20	21	22	23	24
Length	106,7	114,3	121,9	129,5	137,2	144,8	152,4	160	167,6	175,3	182,9
Pitch	99,1	106,7	114,3	121,9	129,5	137,2	144,8	152,4	160	167,6	175,3

\Part number

STB4040JX-XXX-XX

STB4040J	Style of connector
H	Horizontal
7,62	Pitch
XX	Poles
	2,3,4,5,6,7,8, 9,10, 11,12, 13,14,15,16,17,18,19,20, 21,22,23,24

Ordering information

Ordering can be done via www.summit-electronics.com or via info@summit-electronics.com. Please contact us for more information. Customisation of the product is available on request.

Technical support

For all product questions please contact us via info@summit-electronics.com

Document revision

Rev	Date	Changes
V01.00	06-04-2023	First issue of document